



471 INDUSTRIAL AVE.
RIPON, CALIF. 95366
PHONE (209) 599-6118

**JACKRABBIT
SERVICE PARTS**

JUMPING JACK ELEVATOR

JJL 490 20/30 ELEVATOR & WOODCHUCK



Phone (209) 599-6118 Fax (209) 599-6119
E-mail sales@jackrabbit.bz or info@jackrabbit.bz

10/18/10

TO OUR CUSTOMERS:

Thank you for choosing JackRabbit. We stand behind our products and are very proud of the equipment we design and manufacture. Preventive maintenance is the easiest and least expensive type of maintenance. Please take the time to review this Owner's Operator's Manual it can save you time and expense.

WARRANTY

JACKRABBIT warrants each new piece of equipment and parts manufactured by it to be free from defects in material and workmanship under normal use and service. The obligation of JACKRABBIT shall be limited to replacing any part which shall, within 1 year (1 season) after delivery to the original purchaser, be returned to JACKRABBIT with transportation charges prepaid and which an examination by JACKRABBIT discloses defective. This Warranty does not obligate JACKRABBIT to bear the cost of labor, travel time or hauling in connection with the replacement or repair of the defective parts and in no event will be liable for consequential damages including but not limited to loss of crop, rental or substitute equipment or other commercial loss.

No warranties or representations made by persons other than representatives of JACKRABBIT expressly authorized in writing to do so shall be valid and binding upon JACKRABBIT. No dealer shall be authorized to bind JACKRABBIT in this respect.

JACKRABBIT makes no warranty with respect to component parts not manufactured by JACKRABBIT. This warranty shall not apply to any equipment which has been altered in any way outside of manufacturers factory, or which has been subject to misuse, neglect or accident.

This warranty is expressly in lieu of all other warranties and representations, expressed, implied, or statutory, including warranties of merchantability and fitness for a particular use, and all other liabilities or obligations on the part of JACKRABBIT, foreseeable or not.

USER'S RESPONSIBILITY

It is the responsibility of the user to read the Operator's Manual and understand the safe and correct operating procedures as pertains to the operation of the product and to lubricate and maintain the product according to the maintenance schedule in the Operator's Manual.

WARRANTY SERVICE

Warranty service may be obtained through an authorized dealer or JackRabbit service facility. Write or call: JackRabbit, 471 Industrial Ave, CA 95366, telephone (209) 599-6118

TABLE OF CONTENTS

	Page
A. Incline conveyer section	1 - 4
B. Bin conveyer section	5 - 6
C. Engine section	7 - 11
D. Electrical schematic	12
Electrical gauges & switches section	13 - 15
E. Hydraulic schematic	16
Hydraulic parts list	17 - 19
F. Bearings list	19
G. Belt list	20
H. Decals list	20
I. Miscellaneous parts list	20
J. WoodChuck Desticker	21 -27
K. Front Wheel Drive Option	28

PARTS LIST

490 JIL 20/30 ELEVATOR

ITEM #	PART #	DESCRIPTION	SERIAL#	REQD.
INCLINE CONVEYOR SECTION				
1	26034	Incline Conveyor Motor (OMT500)	66-115,120,130----	1
	26034	Incline Conveyor Motor (DT 3306 328D)	116-119&121	1
	26034A	Seal Kit for (OMT500)		1
	24409	Incline Conveyor Motor (RE320804)	1-65	1
2	25996	Upper Torque Arm		1
3	27352	Clamping Collar		1
4	26812	Coupler Solid 1-1/2" ID		1
	22495	Climax Coupler 1-1/4" ID For RE18 Motor	1-95	1
5	22097	Bearing (1-1/2" Pillow Block)		2
6	26011	Upper Drive Pulley 30" W/LG. & Shaft		1
	26013	Shaft 1 1/2" x 38" (1/2" L JIL30)		1
7	24374	Snub Roller 30" Length		1
8	23524	Flangette Bearing (52 MST 22PPRAG) for snub roller		2
	23524A	RA 100 RRB COL AG Bearing		2
9	27375	(30" x 64' 6") Giant Z Incline Belt	1-129 & 207---	1
	27375A	(30" x 70' 6") Giant Z Incline Belt	SP. Borsma/Ausi	1
	27755	(30" x 64' 6") Giant Z Incline Belt	130-206	1
	27116	(30" x 64' 4") Crescent Top Incline Belt	1-129 & 207---	1
	26863B	(30" x 54' 6") Giant Z Belt (for 3 belt elevator)		1
	27951	(30" x 64' 6") Giant Z W/5/9 Cleats (for walnuts)		1
	27523A	30" Pin For Lacing		1
10	26018	Idler Roller 30 - 3/8" Length, Return Roller		8
11	27307	Bearing Housing For Return Rollers (End Cap)		12
12	27306	Bearings for Return Rollers		12
13	28216	Shaft & Spring for 30 3/8" Return Roller		6
	28215	Shaft & Spring for 20 3/8" Return Roller (Bin)		2
14	26887	Belt Wipers (UHMW 37") 30" Incline Belt		2
	24556	Belt Wiper (UHMW) 27 3/4" 20" Bin Belt		1
15	22977	Bearing (1" Pillow Block)		2
16	24341B	Idler Pulley, Lower 30 1/4" W/Lag		1

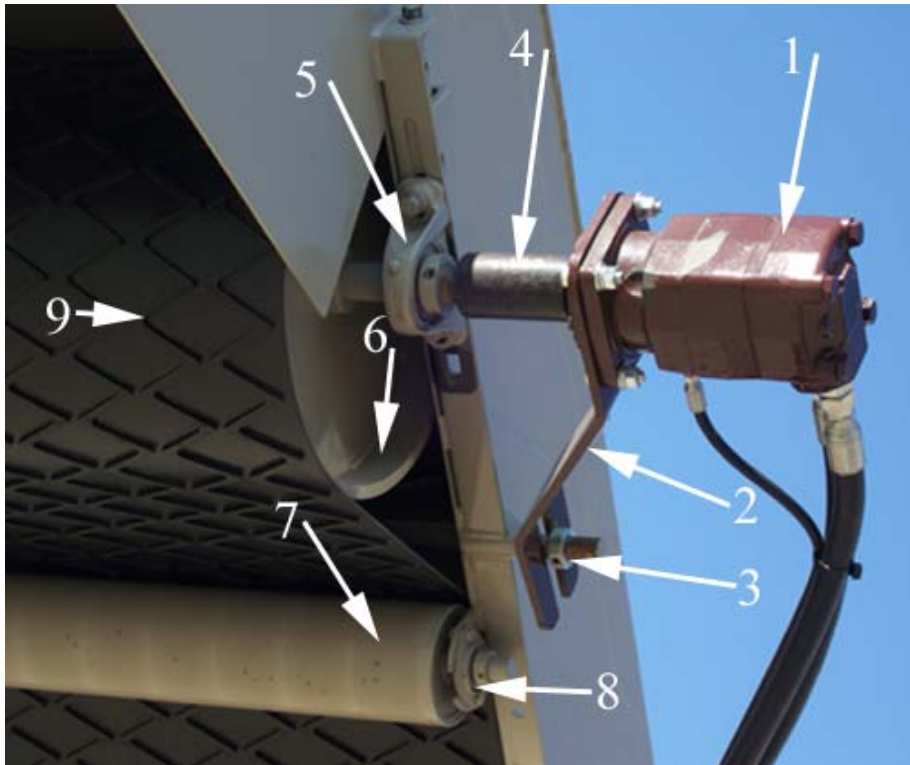
490 JYL 20/30 ELEVATOR

ITEM #	PART #	DESCRIPTION	SERIAL#	REQD.
17	24923	Slide Spacer UHMW 20/20		2
	24923A	Slide Spacer UHMW 20/30		2
18	28120	Transition Seal Incline Belt (UHMW)		2
19	24659	Brushes and Holder Assembly		6
	24653	Brushes Only		6
	24654	Brush Holder only		6
20	27227	Transition Side Seal, 20/20	130-149	1
21	26765	Transition Side Seal		1
22	26765A	Transition Side Seal		1
23	26002	Incline Long Pan 240"		1
	26003	Incline Short Pan 114"		1
	26004	Extension Pan Upper		1
	26008	Extension Pan Lower		1
	26009	Pulley End Cover		1

Items # 23 are (replacement) formed sheet metal parts that is welded into incline frame.

Cleated belts, snub and idler rollers for cleated belts are obsolete, but can be special ordered.

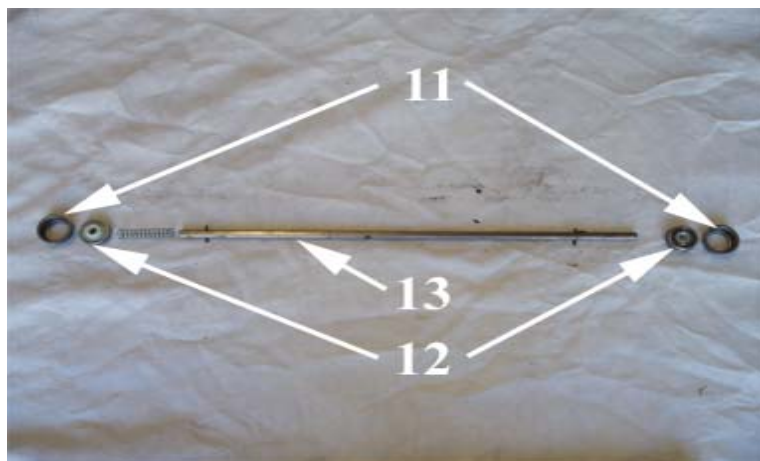
INCLINE CONVEYOR SECTION 20/30



490 JYL 20/30 ELEVATOR

ITEM # PART # DESCRIPTION
INCLINE CONVEYOR SECTION CONT.

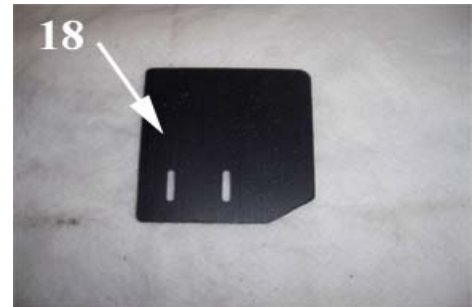
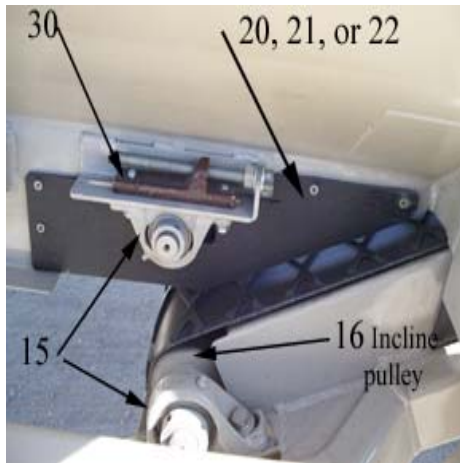
SERIAL# REQD.



490 JYL 20/30 ELEVATOR

ITEM # PART # DESCRIPTION
INCLINE CONVEYOR SECTION CONT.

SERIAL# REQD.



490 JYL 20/30 ELEVATOR

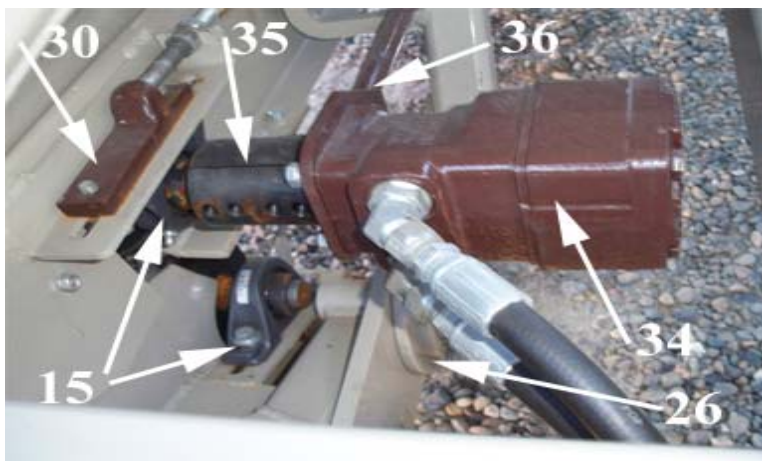
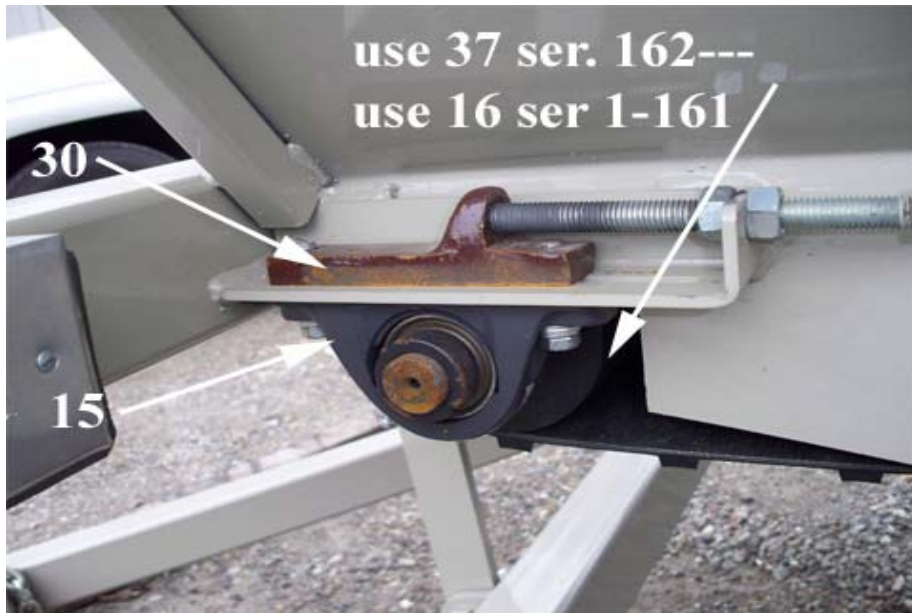
ITEM #	PART #	DESCRIPTION	SERIAL#	REQD.
BIN CONVEYOR SECTION				
15	22977	Bearing (1" Pillow Block)		4
16	24341A	Idler Lower 20 1/4" W/Lag	1-161	1
26	31067	FC350 1 1/2" Bearing		2
30	26464	Bearings Pad		2
33	27377	(20" x 318") Giant Z Bin Belt	115---	1
	27115	(20"x 317") Crescent Top Bin Belt	115---	1
	27530	(20" x 294") Giant Z Bin Belt	1-114	1
	24411	(20" x 293") Crescent Top Bin Belt	1-114	1
	27523	20" Lacing Pin		1
33A	24556	Belt Wiper UHMW 27 3/4"		1
34	24664	Lower Hyd. Motor (RS180201)	162---	2
	24664	(RS180106)	115-129	1
	24664A	Seal Kit Motor for (RS180201)	100---	1
35	26493	Motor Coupler (Climax Coupler CC100-100)	162---	2
	24416	Motor Coupler 1" Dia 6 Spline	1-99	1
36	24395A	Lower Torque Arm	162---	2
37	24340A	Lower Drive Pulley W/Lag	162---	2
38	24368	20"x 27 1/2" Rear Skid Pan		1
39	24369	20" x 45 1/2" Center Skid Pan		1
40	24371	20" x 64 1/2" Front Skid Pan		1
41	24657	20 3/8" x 18 1/2" Lower Extension Pan		1
42	24662	23 1/2" x 21 3/8" Extension Upper		1
43	26045A	20" Bin Extension Upper (New)		1

Items # 38 – 43 are (replacement) formed sheet metal parts that are welded into bin frame.

490 JYL 20/30 ELEVATOR

ITEM # PART # DESCRIPTION
BIN CONVEYOR SECTION CONT.

SERIAL# REQD.



490 JYL 20/30 ELEVATOR

ITEM #	PART #	DESCRIPTION	SERIAL #	REQD
ENGINE PARTS:				
100	27014	Air Filter Inner (Don. P829332)	116---	1
101	27013	Air Filter-Outer (Don. P827653)	116---	1
101A	27015	Air Filter Assemble G0700018	116---	1
101B	27015A	Air Filter Mounting Band P777731	116---	1
101C	27015B	Air Filter Vacuator P158914	116---	1
101D	28795	Restriction Indicator (Deutz)	162---	1
102	27013A	End Cover (P636202)	116---	1
100	26774	Air Filter Safety Element (118-0869)	100-115	OBS
101	26773	Air Filter Primary (131-9142)	100-115	OBS
101	27117	Air Filter (438 4102)	1-99	1
103	27531	Conversion Kit To Donaldson Filters	1-115	1
104	27011	Fuel Filter (Duetz 117-4696), L1101 &2011	1---	1
104A	27943	Fuel Strainer in line 117-8753		1
105	27010	Oil Filter (Duetz 117-4416), F2L1101 &2011	1---	1
	28158	Dip Stick (427-2816) 3 Cyl		1
106	27168A	Fan Belt (Duetz 117-9566), F2L2011	207---	1
	27168	Fan Belt (Duetz 117-9565)	1-206	1
107	27202B	Fuel Shut Off Solenoid 427-2956), L2011	207---	1
	27202C	Wiring Connector Cable (421 3069)	207---	1
	27202	Fuel Shut Off Solenoid (427-0581)	1-206	1
	27202A	Fuel Shut Off Solenoid (427 -2733)		1
		O-Ring 116-4748 for (427- 2733)		1
	27202D	Fuel Shut off Solenoid (0428-7583)		1
107A	27351A	Wiring Loom For Fuel Shut Off Solenoid (F2L2011) 207--- (421-8069) for F2L12011		1
107B	27351	Wiring Loom For Fuel Shut Off Solenoid (5A 22001649)	1-206	1
109	27203C	Fuel Pump (428-6113), F2L,F3L,F4L2011	207---	1
	27203	Fuel Pump (0417-5474), L1011	1-206	1
	27203A	Fuel Pump (0427-1682) or (427-2819), 2L1011		1
	27203B	O-Ring (117-9160)	1---	1

490 JYL 20/30 ELEVATOR

ITEM #	PART #	DESCRIPTION	SERIAL#	REQD.
ENGINE PARTS CONT:				
110	27492	Fuel Injector Return Line Kit 0417-8631	1---	1
	27492A	Fuel Injector Return Line 0417-8632	1---	1
112	24744	Throttle Solenoid W/Module	1-175---	1
113	24744A	Throttle Solenoid	1-175---	1
114	24744B	Trombete Module	1-175---	1
113A	27654	Solenoid Rubber Boot		1
115	27656	Throttle Solenoid (1756E)	176---	1
116	27655	Trombete Module (P515 A57 12V)	176---	1
116	27657	Coil Commander (SA4667)	176---	1
115A		Solenoid Rubber Boot		1
117	27310	Throttle Linkage Kit, assembly		1
	24744C	Ball Joint, 90 degree		1
	24744D	Hex Spacer		1
	24744E	Straight Connection		1
118	27776	Throttle Lever 417- 9754 for Duetz 1011		1
120	27803	Alternator Rebuilt Duetz		1
	27803A	Alternator New 01182434 for 2,3,4 Cyl Eng.		1
137	25026	Exhaust Pipe		1
	24752	Exhaust Pipe Hanger		1
		1 ³ / ₄ " u Bolt Clamp		1
138	27285	Gas Shock for Engine Door		1
139	27959	Rubber Ring Isolator Duetz Engine		1
140	27407	Oil Cooler For 3 Cylinder Engine		1
141	27876A	Oil Pressure Sender (CH86281) three prong	207---	1
	27876	Oil Pressure Sender (118-1549) one prong	1-206	1
See Item # 155 for oil temperature gauge.				
142	22424	Hour Meter (85002-03)	109---	1

490 JYL 20/30 ELEVATOR

ITEM #	PART #	DESCRIPTION	SERIAL#	REQD.
---------------	---------------	--------------------	----------------	--------------

REPLACEMENT ENGINES:

145	F2L2001	Engine 2 Cylinder Engine,		1
	F3L2011	Engine 3 Cylinder Engine		1
	F4L2011	Engine 4 Cylinder Engine		1

ORDER A DRIVE PLATE KIT 27762 WITH NEW ENGINE, IF SERIAL NUMBER OF ELEVATOR IS 1 THROUGH 149.

145A	27762	Drive Plate Kit, (Drive & Bell Housing Cover) 123 655 for F2L2011, F3L2011, F4L2011engines. Year 2000 and after, serial #150 and after.		
142B	27762A	Drive Plate Kit, (Drive & Bell Housing Cover) 123296, 123076 for F2L1011, F3L1011, F4L1011 engines. Year 1999 and before, serial # 1 through 149.		
155	27131A	Engine Oil Temperature Gauge (118 2577) 2" hole		1
	27131	Engine Oil Temperature Gauge (117-3670)		1
	27132A	Engine Oil Temperature Sender (118-0413)	207---	1
	27132	Engine Oil Temperature Sender (117-3672)	1-206	1

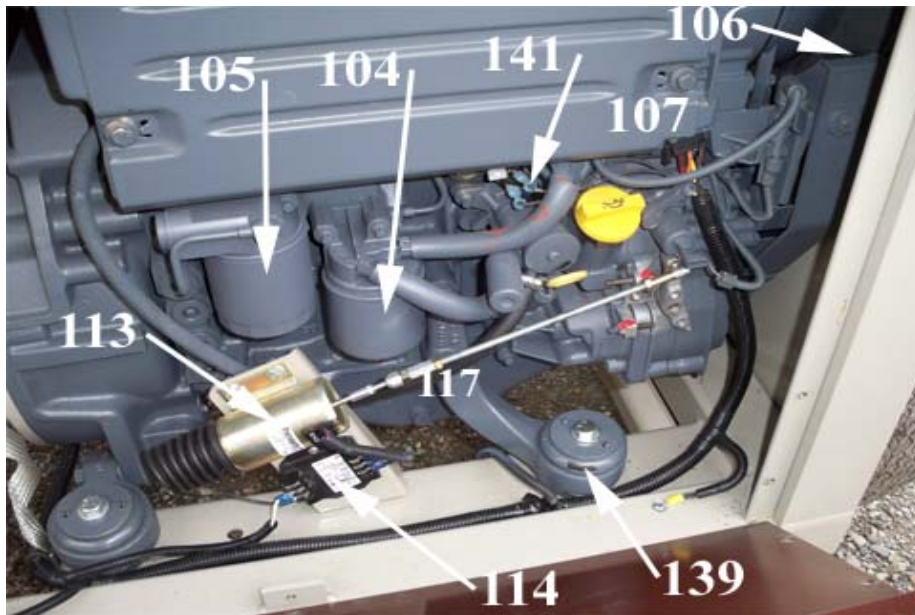
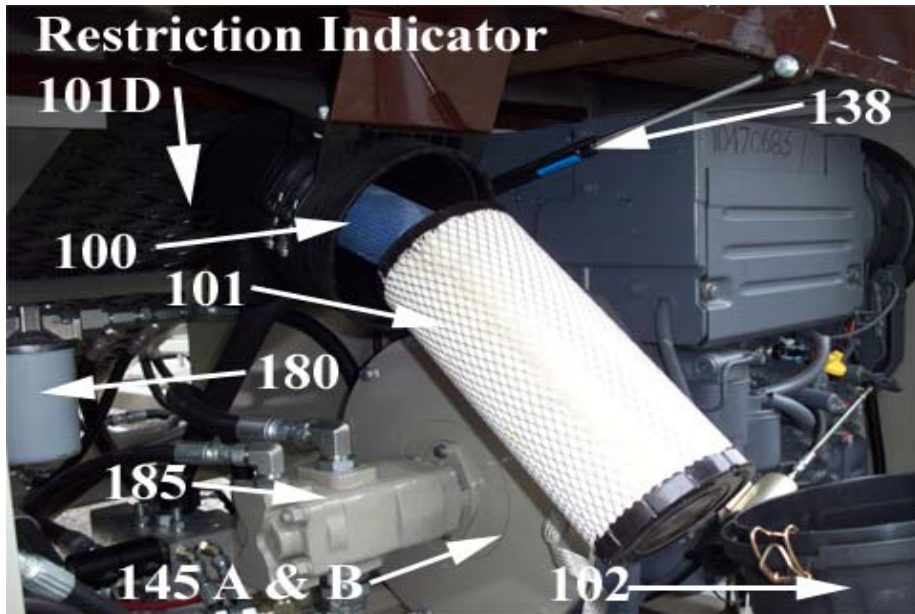
For a complete list of engine parts see your Duetz engine parts manual.

490 JYL 20/30 ELEVATOR

ITEM # PART # DESCRIPTION

SERIAL# REQD.

ENGINE SECTION



490 JYL 20/30 ELEVATOR

ITEM # PART # DESCRIPTION

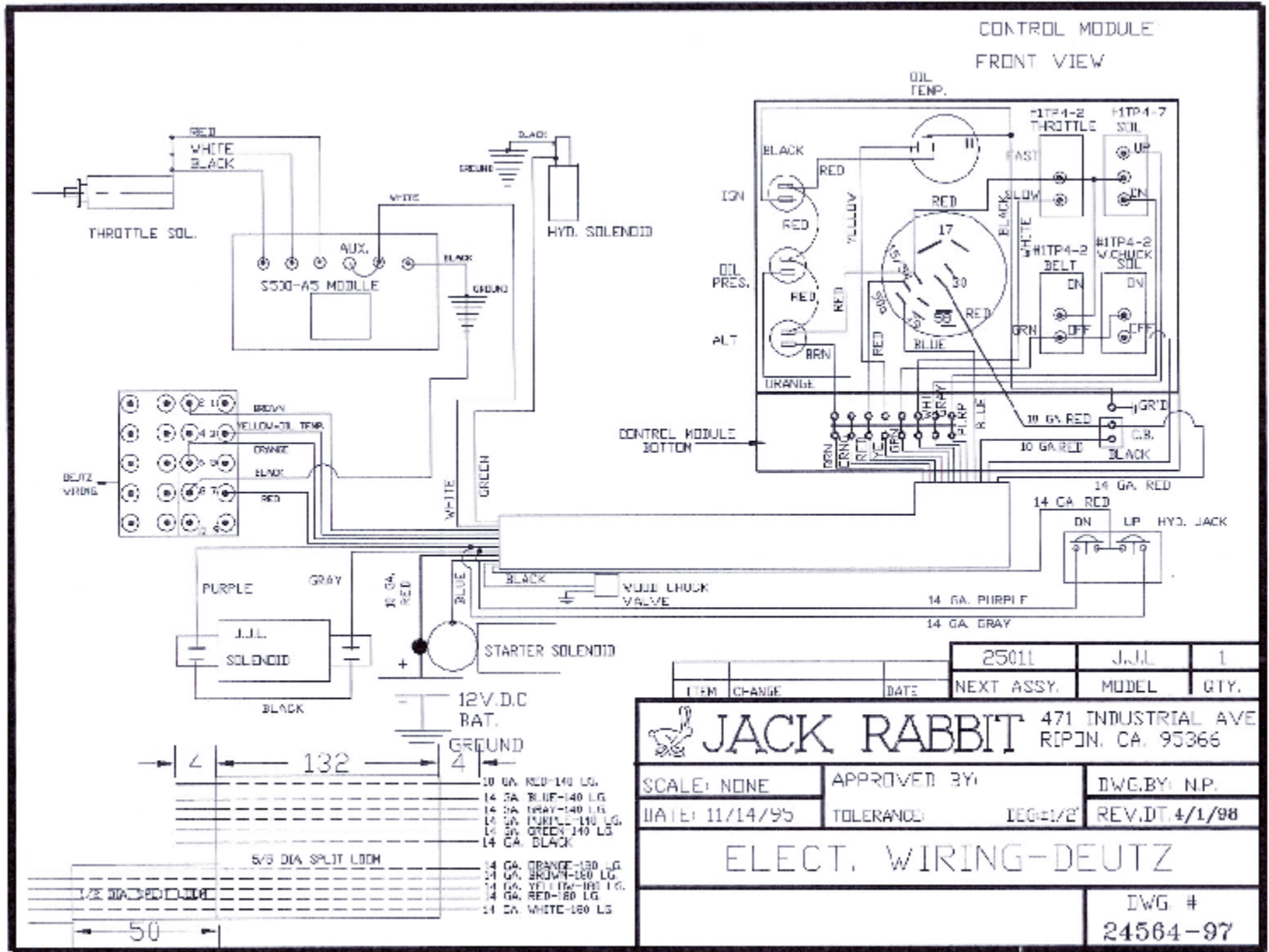
SERIAL# REQD.

ENGINE SECTION



490 JIL 20/30 ELEVATOR

ITEM # PART # DESCRIPTION SERIAL # REQD



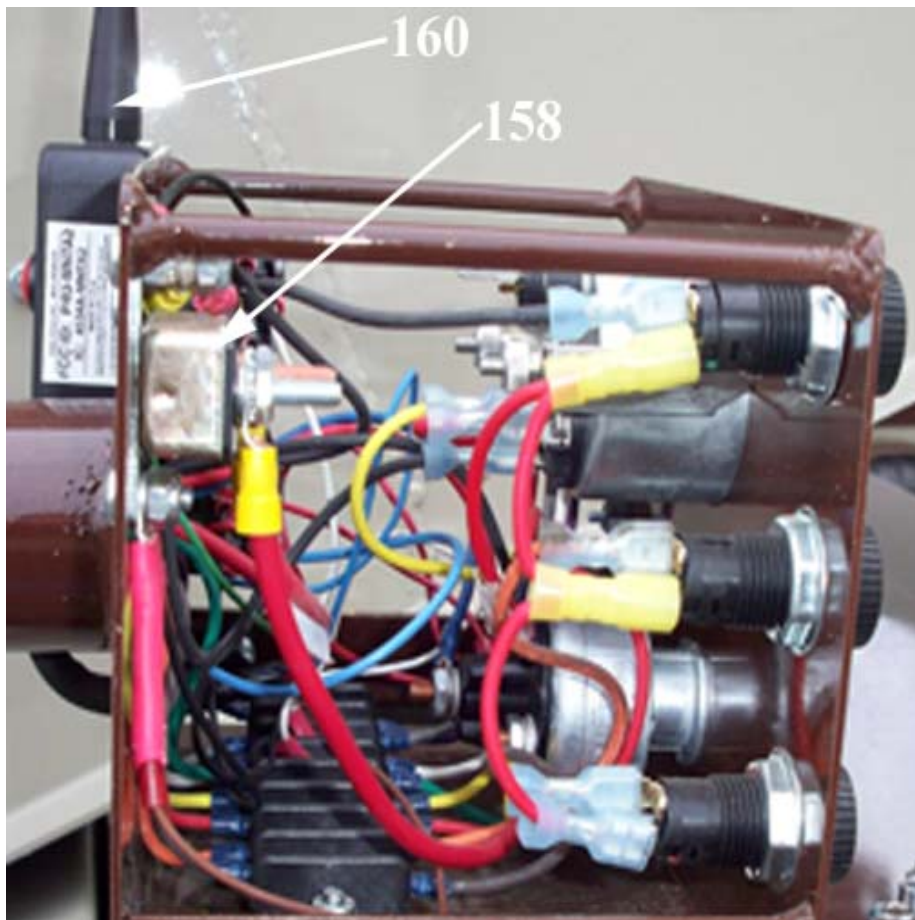
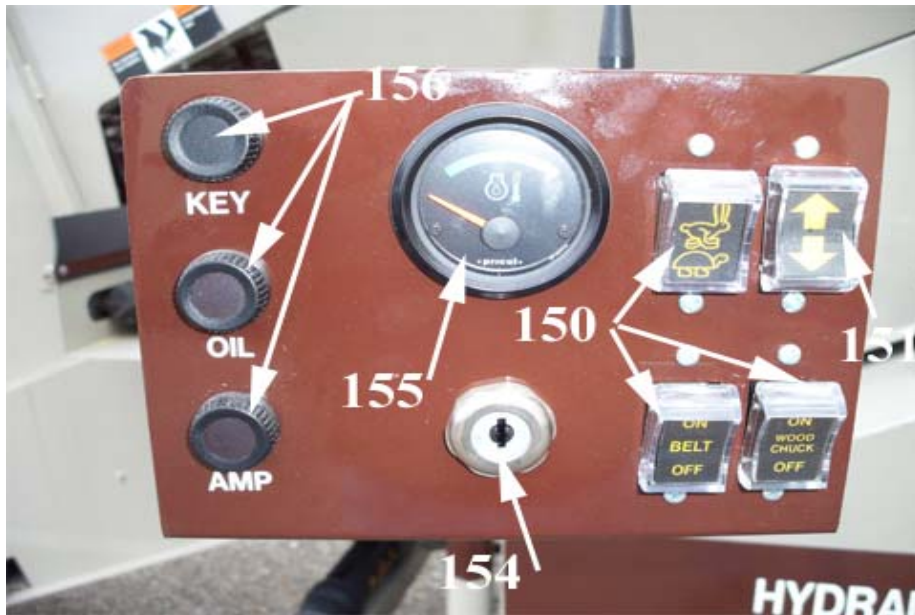
ITEM	CHANGE	DATE	25011	J.J.L.	1
NEXT ASSY.			MUDEL		
<p>JACK RABBIT 471 INDUSTRIAL AVE RIPON, CA. 95366</p>					
SCALE: NONE		APPROVED BY:		DWG. BY: N.P.	
DATE: 11/14/95		TOLERANCE:		REV. DT. 4/1/98	
<p>ELECT. WIRING-DEUTZ</p>					
DWG #					24564-97

490 JJL 20/30 ELEVATOR

ITEM #	PART #	DESCRIPTION	SERIAL #	REQD
ELECTRICAL:				
150	26403	Rocker Switch (1TP4-2) Throttle & Belt		2
151	27118	Rocker Switch Momentary (#1TP4-7) Jack & Chute		1
152	27527	Toggle Switch (1TL1-2)		1
153	27528	Push Button Switch (90030) @ end of bin		1
	28213	Toggle Switch (1NT1-7) @ end of bin		1
154	27121	Key Switch (Deutz Ing.) (117-6269)		1
	27122	Key Switch Double Cut (Duetz 302-735)		1
	22416	Key Switch (Polak 331-196)	130-186	1
	22416A	Key Polak for 22416		1
	27119	Key Single Cut (116-4422) for 26121		1
	27120	Key Double Cut Duetz 302-736		1
155	27131A	Engine Oil Temperature Gauge (118 2577) 2" hole		1
	27131	Engine Oil Temperature Gauge (117-3670)		1
	27632A	Engine Oil Temperature Sender (118-0413)	201---	1
	27632	Engine Oil Temperature Sender (117-3672)	1-200	1
	27876A	Oil Pressure Sender (CH86218) three prong	207---	1
	27876	Oil Pressure Sender (118-1549) one prong	207---	1
156	27145	Deutz Idiot Light Assembly		1
157	27123	Light Bulb Only		1
158	27787	Circuit Breaker Cole Hersee 30055-6 5 AMP		1
	26399	Circuit Breaker 30 AMP		1
159		Relay		2
160	28246	Remote Control Transmitter		1
	28247	Remote Control Receiver		1
161	24564-97	Electrical Wiring Schematic for 20/30 & WoodChuck		1

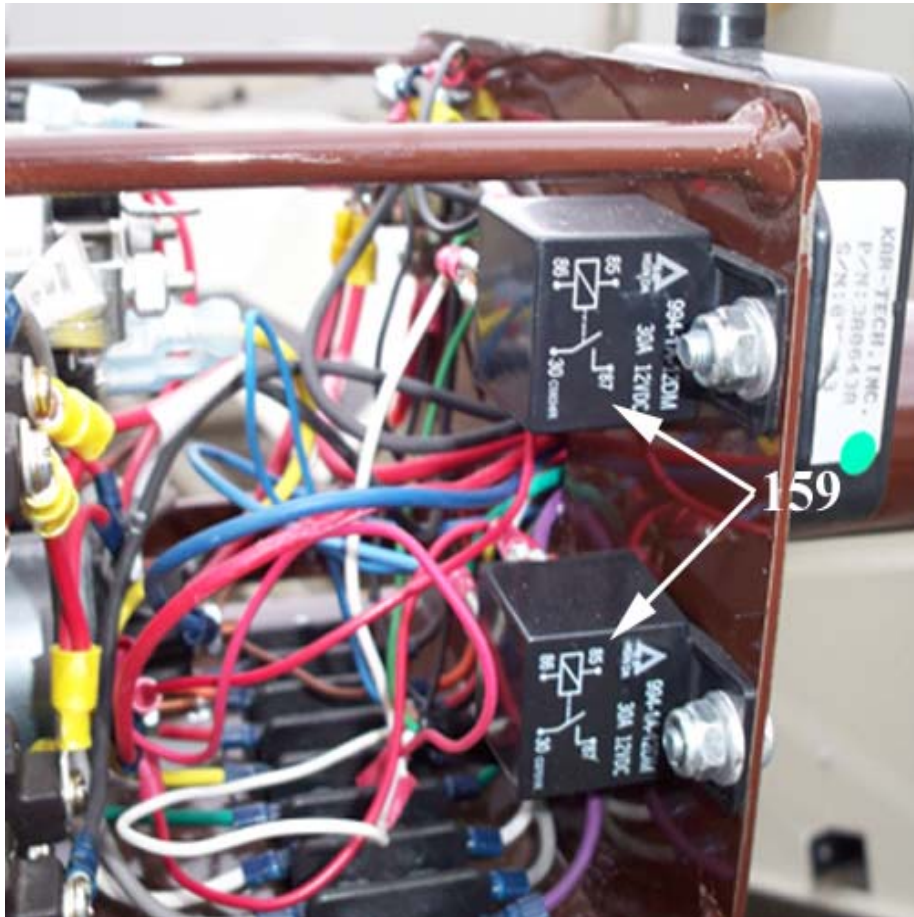
490 JYL 20/30 ELEVATOR

ITEM # PART # DESCRIPTION SERIAL # REQD



490 JYL 20/30 ELEVATOR

ITEM # PART # DESCRIPTION SERIAL # REQD

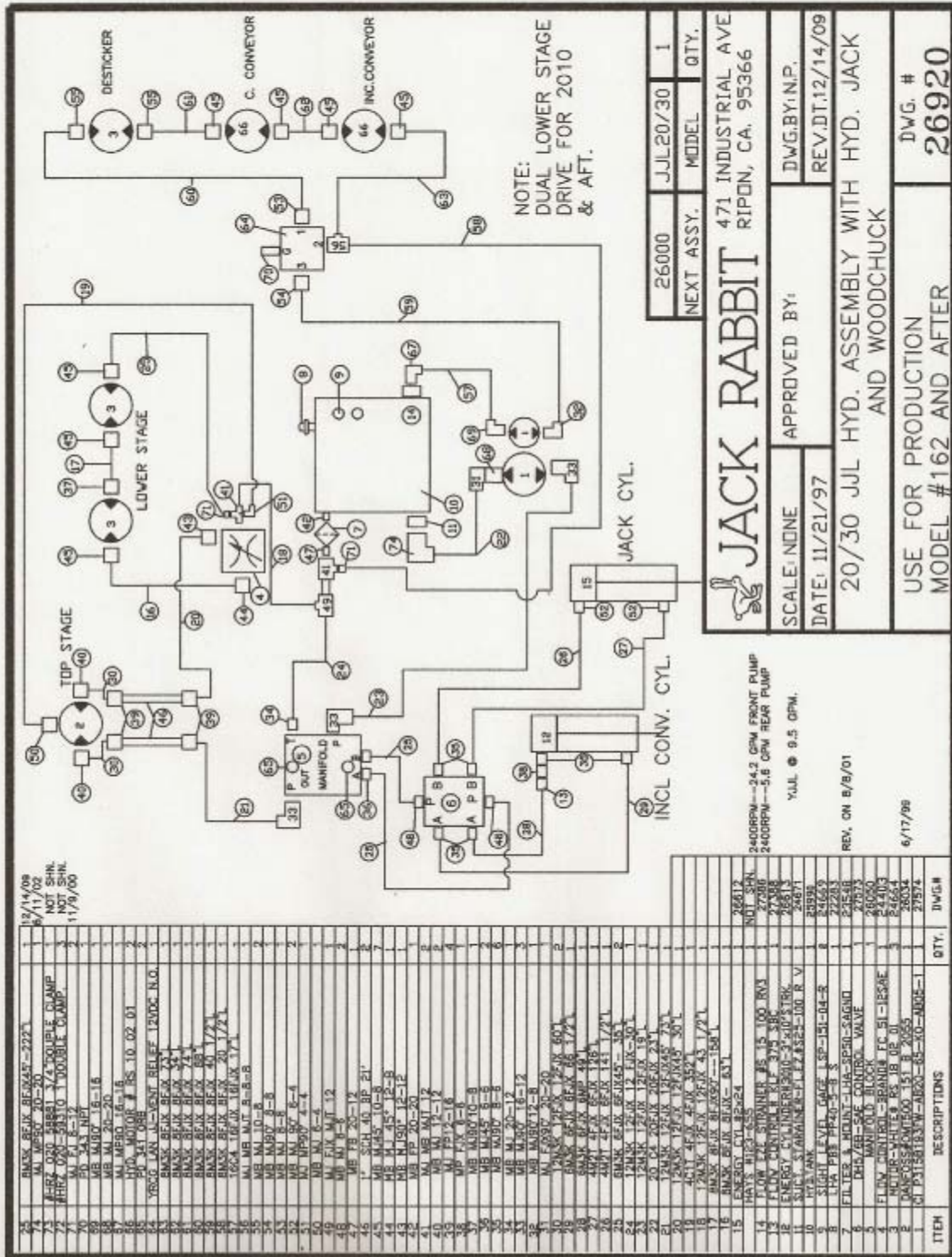


490 JYL 20/30 ELEVATOR

ITEM # PART # DESCRIPTION

SERIAL # REQD

HYDRAULICS:



12/11/09
6/11/02
NOT SHN.
NOT SHN.
11/9/00

ITEM	DESCRIPTIONS	QTY.	DWG#
24	BMKX BEIX BE2457-2227		
25	MI M500 20-30		
26	FRZ 000 58881 1/2 DOUBLE CLAMP		
27	FRZ 000 58130 1 DOUBLE CLAMP		
28	MI M1 8-12		
29	MI M107 16-16		
30	MI M1 20-20		
31	MI M107 16-16		
32	MI M107 16-16		
33	YR20 LAM LAM-VENT RELIEF 12000 N.O.		
34	MI M107 16-16		
35	MI M107 16-16		
36	MI M107 16-16		
37	MI M107 16-16		
38	MI M107 16-16		
39	MI M107 16-16		
40	MI M107 16-16		
41	MI M107 16-16		
42	MI M107 16-16		
43	MI M107 16-16		
44	MI M107 16-16		
45	MI M107 16-16		
46	MI M107 16-16		
47	MI M107 16-16		
48	MI M107 16-16		
49	MI M107 16-16		
50	MI M107 16-16		
51	MI M107 16-16		
52	MI M107 16-16		
53	MI M107 16-16		
54	MI M107 16-16		
55	MI M107 16-16		
56	MI M107 16-16		
57	MI M107 16-16		
58	MI M107 16-16		
59	MI M107 16-16		
60	MI M107 16-16		
61	MI M107 16-16		
62	MI M107 16-16		
63	MI M107 16-16		
64	MI M107 16-16		
65	MI M107 16-16		
66	MI M107 16-16		
67	MI M107 16-16		
68	MI M107 16-16		
69	MI M107 16-16		
70	MI M107 16-16		
71	MI M107 16-16		
72	MI M107 16-16		
73	MI M107 16-16		
74	MI M107 16-16		
75	MI M107 16-16		
76	MI M107 16-16		
77	MI M107 16-16		
78	MI M107 16-16		
79	MI M107 16-16		
80	MI M107 16-16		
81	MI M107 16-16		
82	MI M107 16-16		
83	MI M107 16-16		
84	MI M107 16-16		
85	MI M107 16-16		
86	MI M107 16-16		
87	MI M107 16-16		
88	MI M107 16-16		
89	MI M107 16-16		
90	MI M107 16-16		
91	MI M107 16-16		
92	MI M107 16-16		
93	MI M107 16-16		
94	MI M107 16-16		
95	MI M107 16-16		
96	MI M107 16-16		
97	MI M107 16-16		
98	MI M107 16-16		
99	MI M107 16-16		
100	MI M107 16-16		

NOTE: DUAL LOWER STAGE DRIVE FOR 2010 & AFT.

JACK RABBIT 471 INDUSTRIAL AVE
RIPON, CA, 95366

26000 JYL 20/30 1
NEXT ASSY. MODEL QTY.

SCALE: NONE APPROVED BY: DWG.BY:N.P.
DATE: 11/21/97 REV.DT:12/14/09

20/30 JYL HYD. ASSEMBLY WITH HYD. JACK AND WOODCHUCK

USE FOR PRODUCTION DWG. #
MODEL #162 AND AFTER 26920

2400RPM--24.2 GPM FRONT PUMP
2400RPM--5.8 GPM REAR PUMP

YUL @ 9.5 GPM.

REV. ON 8/8/01

6/17/08

ITEM	DESCRIPTIONS	QTY.	DWG#
25012	NOT SHN		
27200	NOT SHN		
27201	NOT SHN		
27202	NOT SHN		
27203	NOT SHN		
27204	NOT SHN		
27205	NOT SHN		
27206	NOT SHN		
27207	NOT SHN		
27208	NOT SHN		
27209	NOT SHN		
27210	NOT SHN		
27211	NOT SHN		
27212	NOT SHN		
27213	NOT SHN		
27214	NOT SHN		
27215	NOT SHN		
27216	NOT SHN		
27217	NOT SHN		
27218	NOT SHN		
27219	NOT SHN		
27220	NOT SHN		
27221	NOT SHN		
27222	NOT SHN		
27223	NOT SHN		
27224	NOT SHN		
27225	NOT SHN		
27226	NOT SHN		
27227	NOT SHN		
27228	NOT SHN		
27229	NOT SHN		
27230	NOT SHN		
27231	NOT SHN		
27232	NOT SHN		
27233	NOT SHN		
27234	NOT SHN		
27235	NOT SHN		
27236	NOT SHN		
27237	NOT SHN		
27238	NOT SHN		
27239	NOT SHN		
27240	NOT SHN		
27241	NOT SHN		
27242	NOT SHN		
27243	NOT SHN		
27244	NOT SHN		
27245	NOT SHN		
27246	NOT SHN		
27247	NOT SHN		
27248	NOT SHN		
27249	NOT SHN		
27250	NOT SHN		
27251	NOT SHN		
27252	NOT SHN		
27253	NOT SHN		
27254	NOT SHN		
27255	NOT SHN		
27256	NOT SHN		
27257	NOT SHN		
27258	NOT SHN		
27259	NOT SHN		
27260	NOT SHN		
27261	NOT SHN		
27262	NOT SHN		
27263	NOT SHN		
27264	NOT SHN		
27265	NOT SHN		
27266	NOT SHN		
27267	NOT SHN		
27268	NOT SHN		
27269	NOT SHN		
27270	NOT SHN		
27271	NOT SHN		
27272	NOT SHN		
27273	NOT SHN		
27274	NOT SHN		
27275	NOT SHN		
27276	NOT SHN		
27277	NOT SHN		
27278	NOT SHN		
27279	NOT SHN		
27280	NOT SHN		
27281	NOT SHN		
27282	NOT SHN		
27283	NOT SHN		
27284	NOT SHN		
27285	NOT SHN		
27286	NOT SHN		
27287	NOT SHN		
27288	NOT SHN		
27289	NOT SHN		
27290	NOT SHN		
27291	NOT SHN		
27292	NOT SHN		
27293	NOT SHN		
27294	NOT SHN		
27295	NOT SHN		
27296	NOT SHN		
27297	NOT SHN		
27298	NOT SHN		
27299	NOT SHN		
27300	NOT SHN		

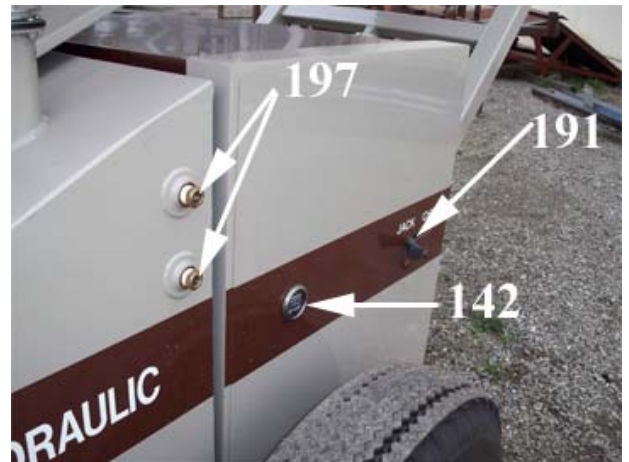
ITEM #	PART #	DESCRIPTION	SERIAL #	REQD
HYDRAULICS:				
1	26034	Incline Conveyor Motor (OMT500)	66-115,120,130----	1
	26034	Incline Conveyor Motor (DT 3306 328D)	116-119&121 1	
	24409	Incline Conveyor Motor (RE320804)	1-65	1
35	24664	Lower Hyd. Motor (RS180201)	162---	2
			100-161	1
	24664	(#RS180106)	1-99	1
	24664A	Seal Kit Motor (RS180201)	100---	1
180	23548A	Filter Element (LHA SP50-10)		1
181	23548	Filter (LHA SP50-NAGNO) Assembly		1
182	24671	Suction Flow Strainer (S25-100-RV3)		1
183	27386	EZ Flow Strainer (S 15 100-RV3)		1
184	22283	Breather (LHA PBB 40-5-8S)		1
185	27574	Pump (P315 193FW AB20 65 RO ABO5-1)		1
	27525	Pump (S20 S20 AH11R)		1
186	26613	Cylinder (3" Dia x 10" Stroke)		1
	27775	Seal Kit for 3" Bore (Energy)		1
186	24641	Lower Pin – Cylinder		1
187	26612	Cylinder (2"Dia. x 24") Jack 7739		1
188	26050	Duel Flow Manifold Block, assembly		1
	27313	Waterman Solenoid Cartage, valve		1
	27314	Relief Valve RPEC - FAN		1
	27315	Relief Valve RPEC - FAN		1
	27317	Flow Control FRDA XAN 1.0		1
189	27318	Coil (704028)		3
190	27524	Jack or Incline Conveyor Selector Valve Waterman		1
191	27573	Jack or Incline Conveyor Selector Valve (DH5/6B-SAE)		1
192	25335	Flow Divider (BGR 51-3/4)		1
193	24403	Flow Control (FC 51-3/4)		1
194	27388	Flow Control Valve (KLF 375, 5BC)		1
195	27182	Hydraulic Tank Filler Cap		1
196	26199	Clamp (1" Hycon Double Clamp)		3
197	24669	Sight, Level Gauge (LSP-151)		1
198	26920	Hydraulic Schematic 20/30		1
199	26200	Hydraulic Schematic Winkie		1

490 JYL 20/30 ELEVATOR

ITEM # PART # DESCRIPTION

SERIAL # REQD

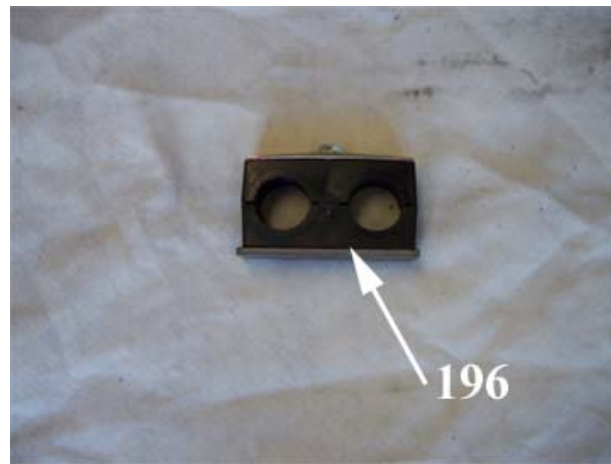
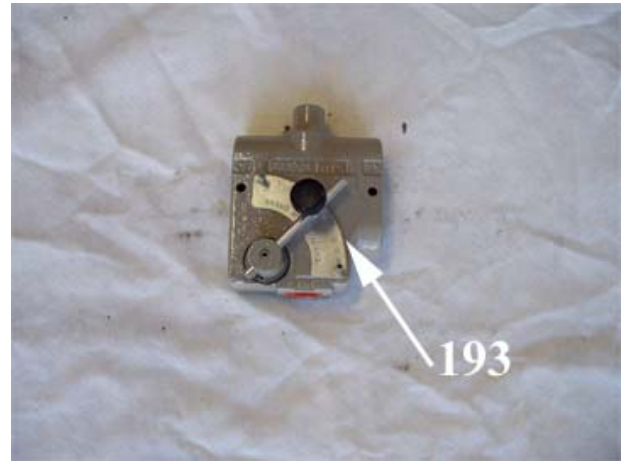
HYDRAULICS:



490 JYL 20/30 ELEVATOR

ITEM #	PART #	DESCRIPTION	SERIAL #	REQD
---------------	---------------	--------------------	-----------------	-------------

HYDRAULICS:



BEARINGS:

5	22097	Bearing (1-1/2" Pillow Block)	2
8	23524	Flanette Bearing (#52 MST 22PPRAG)	2
10	27306	Bearings For Return Rollers	16
16 & 400	22977	Bearing (1" Pillow Block)	6
26	31067	Bearing (RFC350 1-1/2")	2
30	26464	Bearings Pad	8

JJL 20/30 ELEVATOR

ITEM #	PART #	DESCRIPTION	SERIAL #	REQD
BELTS				
9	27375	(30" x 64' 6") Giant Z Incline Belt	1-129 & 207---	1
	27375A	(30" x 70' 6" Giant Z Incline Belt SP. Borsma/ausi		1
	27116	(30" x 64' 4")Crescent Top Incline Belt	1-129 & 207---	1
	26863B	(30" x 54' 6") Giant Z Belt (for 3 belt elevator)		1
	27951	(30" x 64' 6") Giant Z W/5/9 Cleats (for walnuts)		1
	27523A	30" Pin For Lacing		1
33	27377	(20" x 318") Giant Z Bin Belt	115---	1
	27115	(20"x 317") Crescent Top Bin Belt	115---	1
	27530	(20" x 294") Giant Z Bin Belt	1-114	1
	24411	(20" x 293") Crescent Top Bin Belt	1-114	1
	27523	20" Pin For lacing		1

Cleated belts, snub and idler rollers for cleated belts are obsolete, but can be special ordered.

DECALS:

300	24537	JACLRABBIT (White)		1
	24538	JACKRABBIT (Brown)		2
	24546	DIESEL (White)		1
	24546A	DIESEL (Brown)		1
	24548	HYDRAULIC (White)		1
	24548A	HYDRAULIC (Brown)		1
	24986	CONTROL PANEL		1
	24637	OIL, IGN, ALT, ON, OFF (1 Set)		1
	27529	Switch Name Plate Insert		1

MISCELLANEOUS PARTS:

350	23944	Tires 7.5 X 16 LTE		2
	23920	Rims 16 X 6.0		2
	24751	Fuel Cap #703-1060		1
	27285	Gas Shock		1
	Paint and Primer			
	25750	Beige Touch Up		1
	25750A	Brown Touch Up		1
	27552	Primer, mixed		1
	27552-1	Primer, 1 gal.		1
	27552-2	Activator 1 gal.		1
	27552-A	Beige, mixed 1 gal.		1
	27552-AA	Beige, not mixed 3/4 gal.		1
	27552-B	Brown, mixed 1 gal.		1
	27552-BB	Brown, not mixed ¾ gal		1
	27552-C	Urethane Hardener 1 pt.		1
	27552D	Enhancer, 1pt		1

**WOODCHUCK
DESTICKER DS30 FOR 490 JJL ELEVATOR**

ITEM #	PART #	DESCRIPTION	SERIAL #	REQD
BEARINGS & SPROCKETS:				
400	22977	VAK 1" Pillow Block Bearing		10
401	26201	6T 550 Eccentric Sprocket W/Bearing 5/8" Bore		4
402	26201A	6T 550 Concentric Sprocket W/Bearing 5/8" Bore		2
403	26201B	6T Idler Sprocket AG 2426F 3/4" Bore		2
404	22983	8T 550 Idler – AETNA 5/8" Bore		1
405	26202	11T 550 1" ID Sprocket		4
BELTS:				
410	27380	(12" x 196") Giant Z Incline Belt, Almonds & Walnuts		1
	26159A	(12" x 196") CT Incline Belt, Almonds & Walnuts		1
411	27379	(12" x 102") Giant Z Cross Conv. Belt, Almonds & Walnuts		1
		(12" x 102") CT Cross Conv. Belt, Almonds & Walnuts		1
413	26149A	(30"x 119") Giant Z DS30 Cross Conv. Pecan		1
	27200	(30" x 119") CT Stahmann Cross Conv. Pecan		1
414	27380A	(24" x 276") Giant Z DS30 Incline (MGM Farms) Pecan		1
	27380B	(24" x 115") Giant Z DS30 Cross Conv. (MGM Farms) Pecan		1
	27523A	30" Lacing Pin		1
415	27523B	12" Lacung Pin		1
	27523C	24" Lacing Pin		1
CHAIN:				
420	26120	Desticker Chain Weldment (DS30)		1
421	26780B	Desticker Master Link Bar W/4 Flags		1
422	26780A	Desticker Master Link Bar W/ 3 Flags		1
423	26780	Desticker Master Link Bar W/Fingers		1
424	26046	Flags (Only)		1
425	27141	CA 557 Master Link No Attachment		1
426	27141A	CA557 Master Offset Link #E4008		1
427	27142	CA 557 Master Link W/A4 Attachment		1

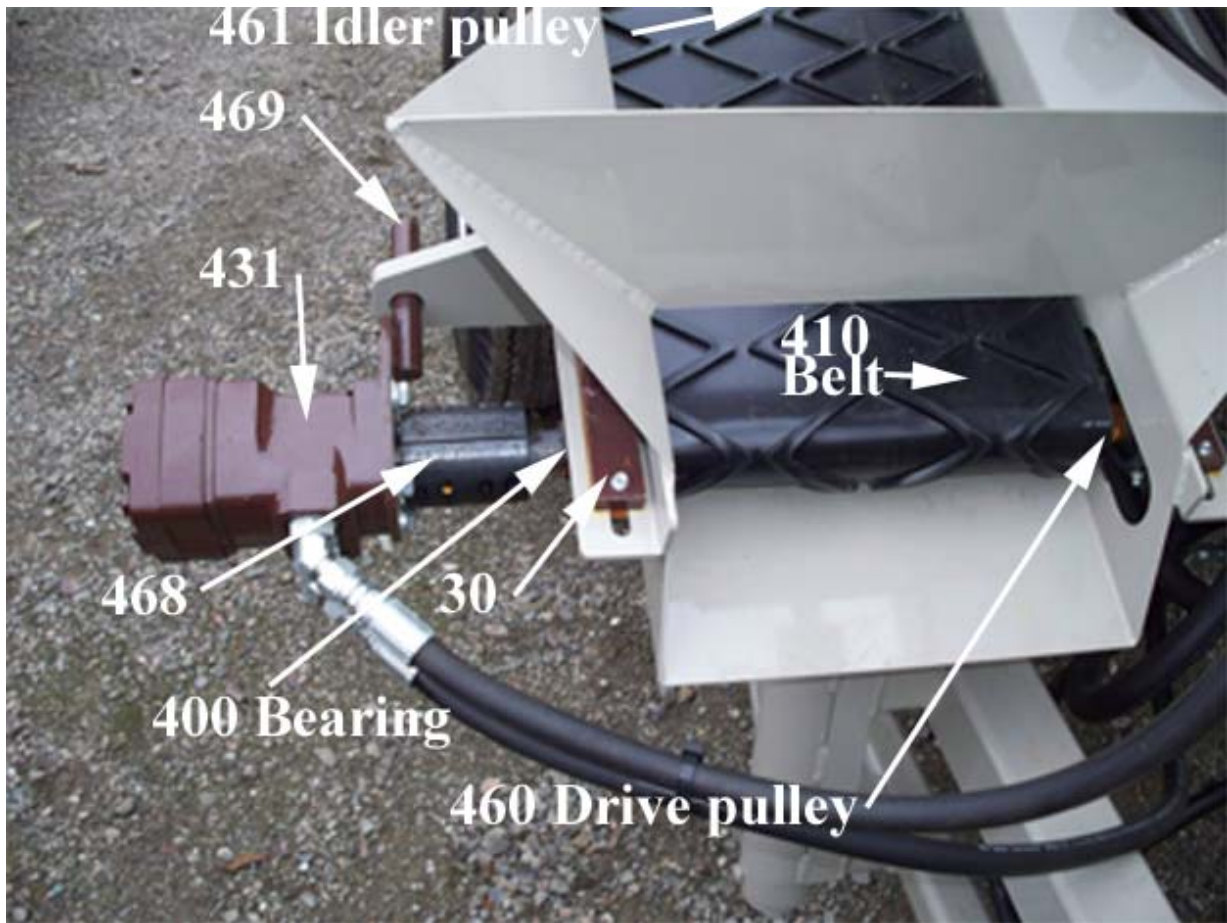
When the desticker chain is replaced, all the sprockets, slides, and seals should also be replaced.

DESTICKER DS30 FOR 490 JJL ELEVATOR

ITEM #	PART #	DESCRIPTION	SERIAL #	REQD
HYDRAULICS:				
430	24664	DS Drive Motor (RS #180201)		1
	24664A	Seal Kit for (RS #180201)		1
431	27017	Conveyor Drive Motor (RS #100201)		2
432	26050A	Manifold Duel Flow		1
433	27313	Solenoid Valve Waterman 15C7TS		1
434	27317	Priotity Valve FRDA XAN 1.0		1
435	27318	Waterman Coil 70402S-12		1
MISCELLANEOUS PARTS:				
450	26692	Rubber Stick Bumper (4" X 59")		1
451	27583	WARNING (Decal)		2
452	26231	Shield for Sprockets, UHMW		2
453	26232	Outer Shield for Sprockets, Metal		4
PULLEYS, SHAFTS, COUPLERS, TORQUE ARMS:				
460	26158	Drive Pulley (Conveyor) 2.08" X 12"		2
461	26157	Idler Pulley (Conveyor) 2.08" X 12"		2
462	26158A	Drive Pulley (Conveyor) SRC 2.08 X 24" Pecan (MGM)		1
463	26157A	Idler Pulley (Conveyor) 2.08" X 24" Pecan (MGM)		1
464	27536	Drive Pulley (Conveyor) SRC 2.08"X 30" Pecan		1
465	27538	Idler Pulley (Conveyor) 2.08 X 30" Pecan		1
466	26143	1" Drive Shaft		1
467	26144	1" Idler Shaft		1
468	26493	Climax Coupler 1" (CC-100-100)		3
469	24395D	Torque Arm, WoodChuck		1
	24395E	Torque Arm, Conveyors		2
SLIDES & SEALS:				
470	26622/A	Side Seal 6" x 24"		2
471	27373	Slide Kit (#472-475)		1
472	22190	1/4" x 3/4" Elevator Bolts, Nuts & Washers		28
473	26129	Upper Chain Slide		4
474	25386	Short Upper Slide		4
475	24491	Exhaust Slide (Incline)		2
480	27208	Cross Conveyor Seal		1

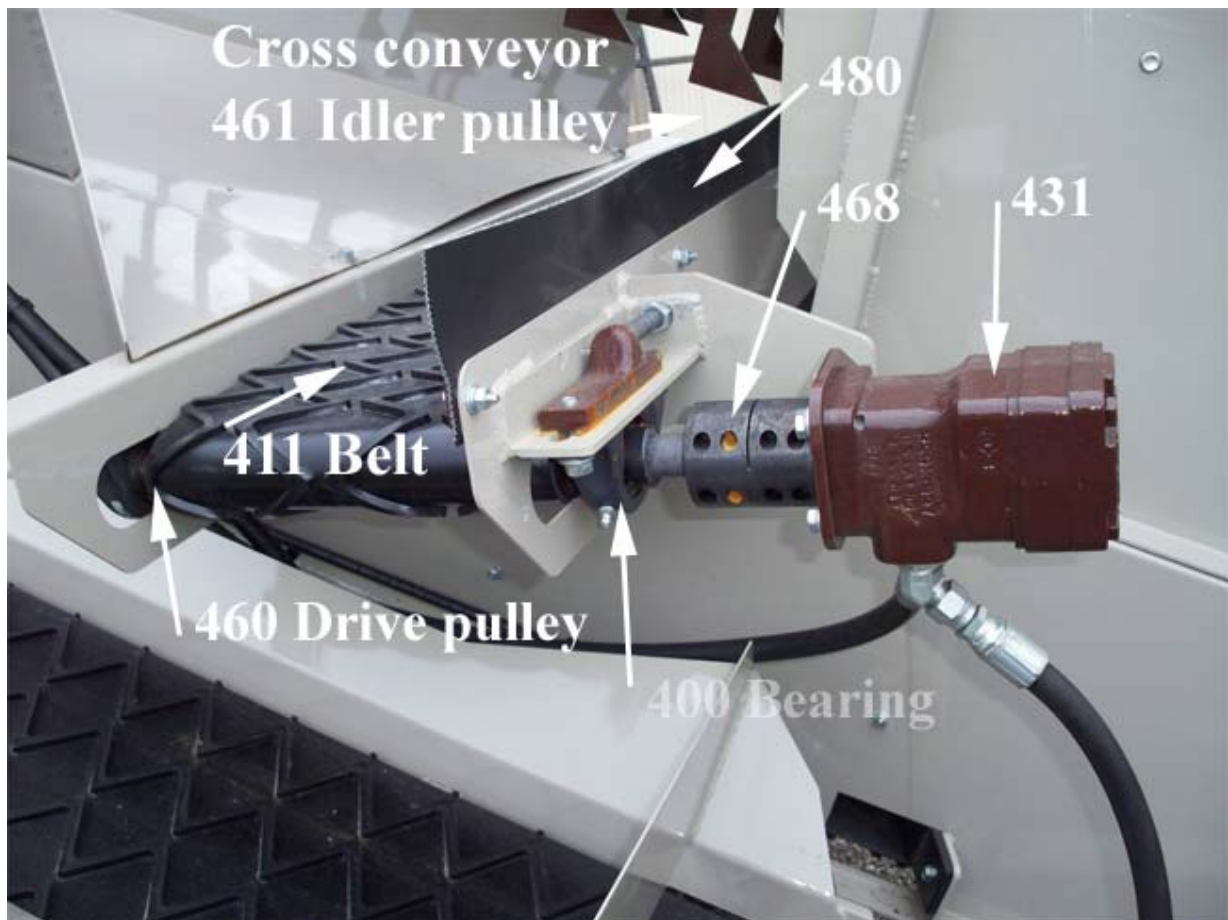
DESTICKER DS30 FOR 490 JYL ELEVATOR

ITEM #	PART #	DESCRIPTION	SERIAL #	REQD
---------------	---------------	--------------------	-----------------	-------------



DESTICKER DS30 FOR 490 JJL ELEVATOR

ITEM # PART # DESCRIPTION SERIAL # REQD



DESTICKER DS30 FOR 490 JYL ELEVATOR

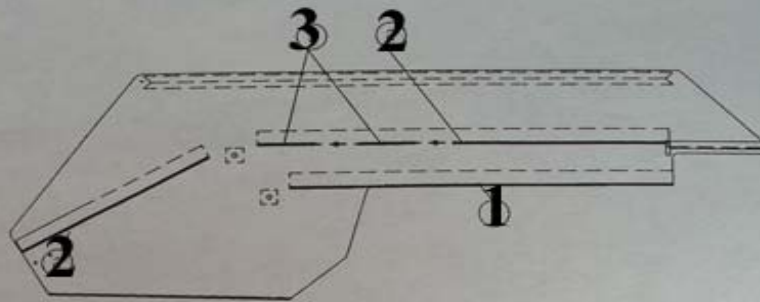
ITEM # PART # DESCRIPTION SERIAL # REQD



Repair Bars for Desticker Chain Assemble

DESTICKER DS30 FOR 490 JYL ELEVATOR

ITEM # PART # DESCRIPTION SERIAL # REQD

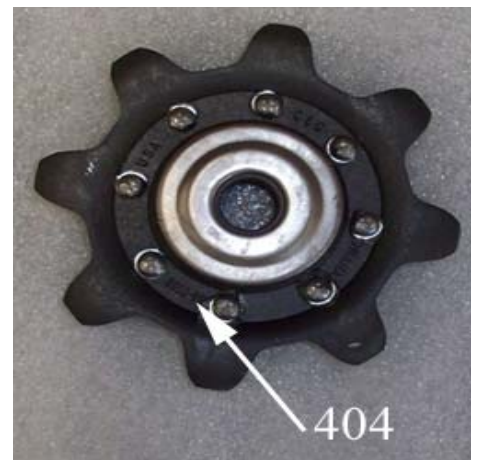


ITEM	PART#	DESCRIPTION	QTY
1	24491	EXH. SLIDE 46"	2
2	26129	UP. SLIDE 25 1/2"	4
3	25386	SHORT SLIDE 7"	4
4	22190	1/4"x 3/4" ELEV. BOLTS	28
		1/4" LOCK WASHERS	28
		1/4-20 HEX NUTS	28

26130	DS30	1
NEXT ASSY.	MODEL	QTY.

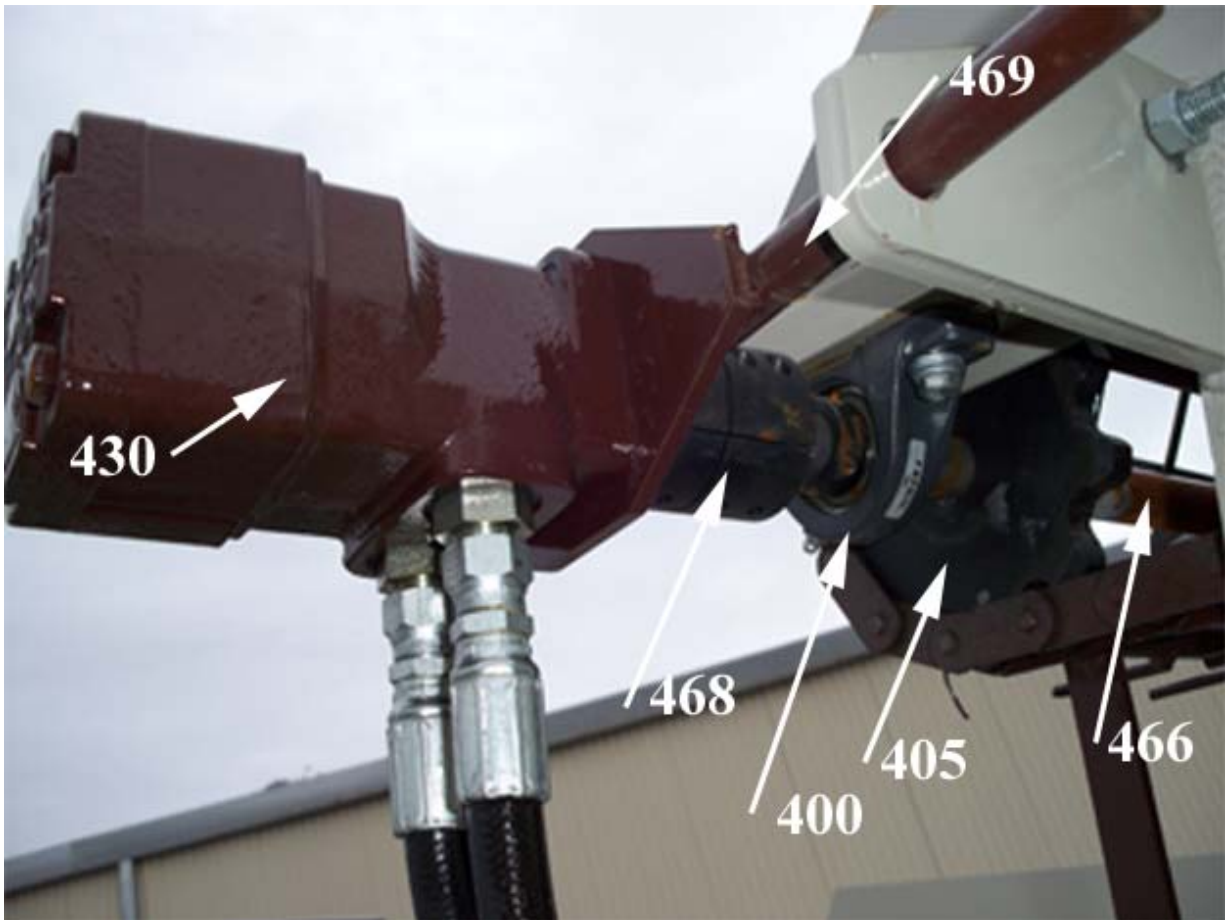
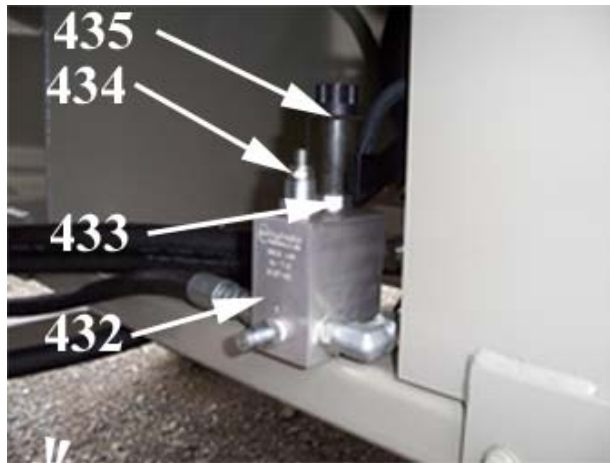
JACKRABBIT 471 INDUSTRIAL AV
RIPON, CA. 95366

SCALE: NONE	APPROVED BY:	DWG. BY: N.P.
DATE: 7/26/00	TOLERANCE: ±1/16 DEG: ±1/2°	REV. DT.
SLIDE KIT FOR WOODCHUCK		DWG. # 27373



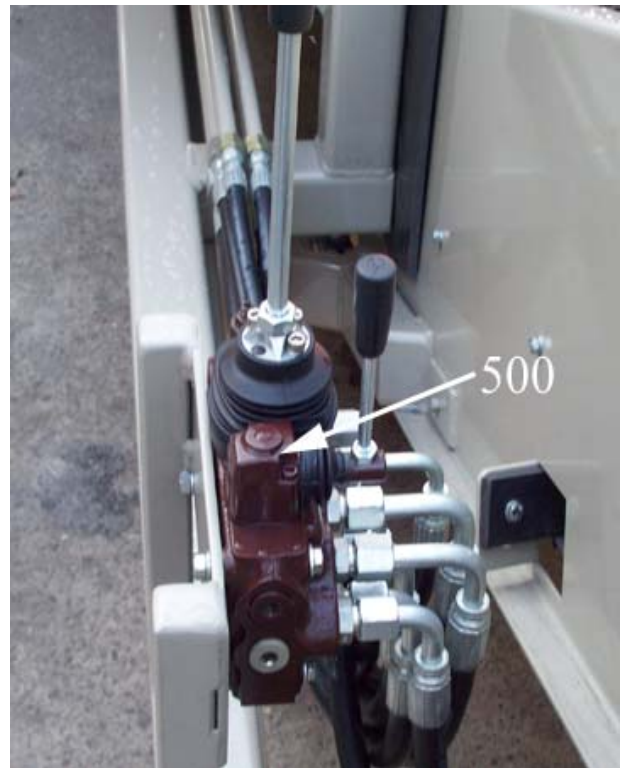
DESTICKER DS30 FOR 490 JJL ELEVATOR

ITEM # PART # DESCRIPTION SERIAL # REQD



FRONT WHEEL DRIVE OPTION FOR 490 JJL ELEVATOR

ITEM #	PART #	DESCRIPTION	SERIAL #	REQD
500	28510	Valves		1



ITEM # PART # DESCRIPTION SERIAL # REQD

FRONT WHEEL, ASSEMBLIES

501 28240 Front Spindle Plate Assembly

1

PAGE 02

JACKRABBIT

#28239 HELAC ROTARY CYL.

10	26481	GR.SAVER TIRE	1
9	26482A	DRIVEN RIM	1
8	26915	CENTER PLATE	1
7	26512A	DR. WHL. MOTOR	1
6	27483A	FAIRFIELD HUB	1
5	26483	HUB PL.MTR.MT	1
4	26513	SPACER TUBE	1
3	26799	INNER GUSSET	2
2	28226	FRONT GUSSET	2
1	28229	FR.SPINDLE PLATE	1
ITEM	DWG.#	DESCRIPTIONS	QTY.

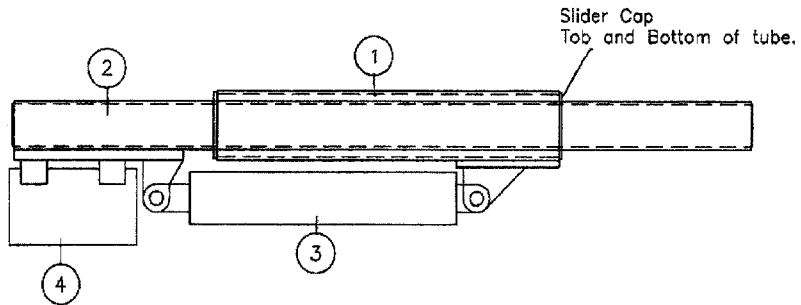
28421	YD09	1
26560A	YJL'08	1
NEXT ASSY.	MODEL	QTY.

18/24/2008 14:06

JACKRABBIT		471 INDUSTRIAL AVE. RIPON, CA. 95366
SCALE: NONE	APPROVED BY:	DWG.BY: N.P.
DATE: 4/8/08	TOLERANCE: ±1/16 DEG:±1/2°	REV.DT.10/16/08
FRONT SPINDLE PL. ASS'Y		
		DWG. # 28240



ITEM #	PART #	DESCRIPTION	SERIAL#	REQD.
FRONT WHEEL, ASSEMBLIES				
502	28238	Steering Cylinder Assembly		1

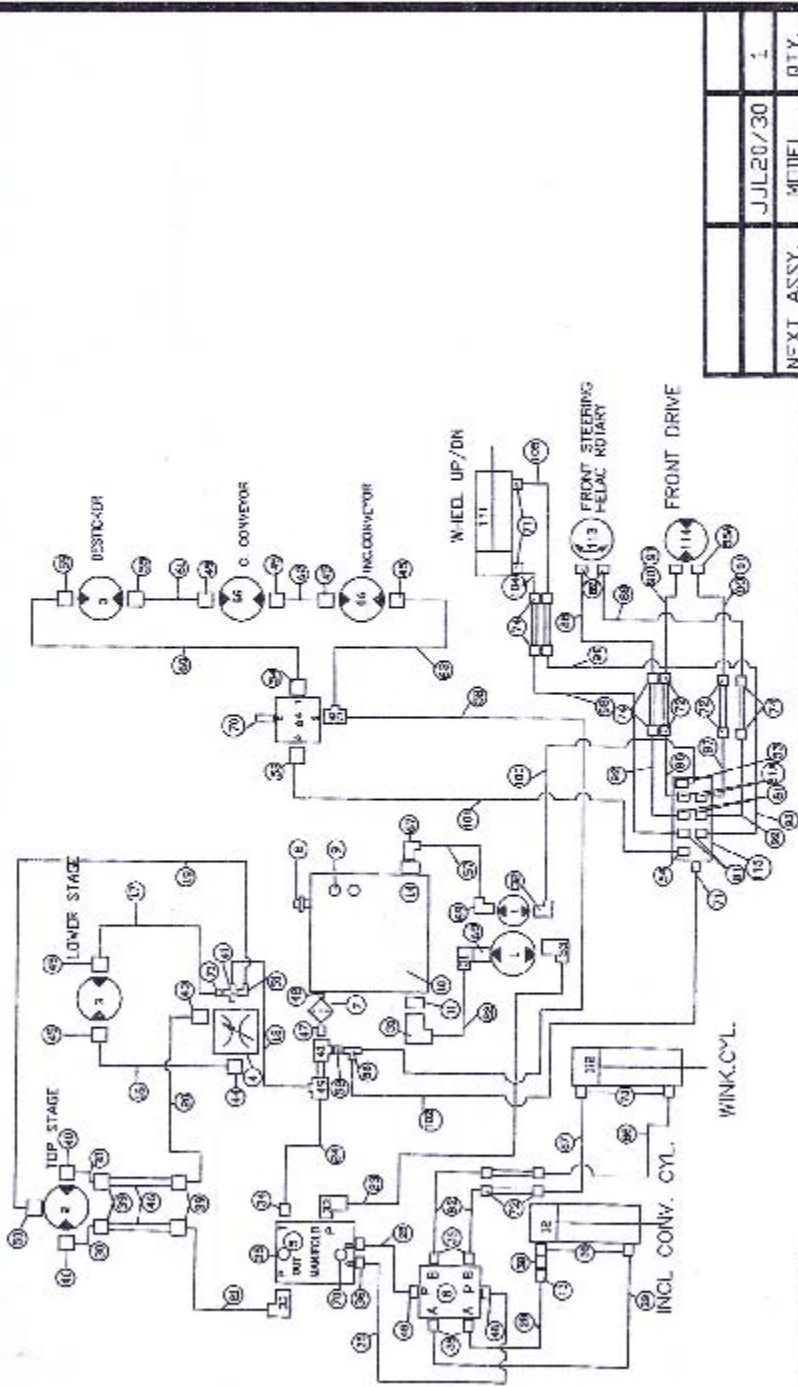


4	28239	HELAC ROTARY CYL.	1
3	28354	CYL.#3014-14"STORKE	1
2	28237	INNER SLIDE WLD'T	1
1	28236	SLIDER TUBE WLD'T	1
ITEM	DWG.#	DESCRIPTIONS	QTY.

STR.WHL	YD09	1
STR.WHL	YJL'08	1
NEXT ASSY.	MODEL	QTY.

JACKRABBIT		471 INDUSTRIAL AVE. RIPON, CA. 95366
SCALE: NONE	APPROVED BY:	DWG.BY: N.P.
DATE: 5/1/08	TOLERANCE: ±1/16 DEG:±1/2°	REV.DT.10/10/08
STTERING CYL. ASS'Y		
		DWG. # 28238

502A	28317	UHMW Internal Spacer for slide tube (1/2" x 3 7/8" x 25 7/8")	4
503	27354	Cylinder for Winky CTRE 2008	1



2400RPM--24.2 GPM
2400RPM--5.6 GPM

USE FOR #415 AND 416--2008

NEXT ASSY.		JUL20/30	QTY.
MODEL			
JACK RABBIT 471 INDUSTRIAL AVE RICHMOND, CA 95366			
SCALE: NONE	APPROVED BY:	DWG. BY: N.P.	
DATE: 12/10/08	TOLERANCE: 1/16	DEGREE: 1/2°	REV. DT.
JUL20/30 WITH WOOD CHUCK AND FRONT DRIVE WHEEL			DWG. #
AUSIE			26920C